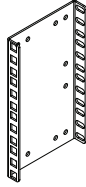


IAB 1U - 4U Extender Installation Manual

Included in this package

(2) IAB Extension Bracket ◆



(Drawing for illustration purpose only, not up to scale)

(12) #10-32 x 5/8 Rack Screws



(4) #12-24 x 5/8 Rack Screws



(8) #10-32 Cage Nuts



This document describes how to install IAB104 extender into a rack or cabinet. 1U, 2U, 3U and 4U uses the same installation method.

Installation Steps

Step 1. Use included #10-32 or #12-24 rack screws to attach IAB104 Extension Bracket to the rack or cabinet as shown in the illustration Figure #1. The easiest way to drive screw in is by placing screw driver through the square holes. For heavier load, install additional rack screws to ensure proper weight support.

Step 2. Attach empty square holes on IAB104 Bracket with included #10-32 cage nuts. Adjust cage nuts to desired position for your 19" rackmount equipment.

Step 3. Repeat Step 1 to 2 for left side of the cabinet.

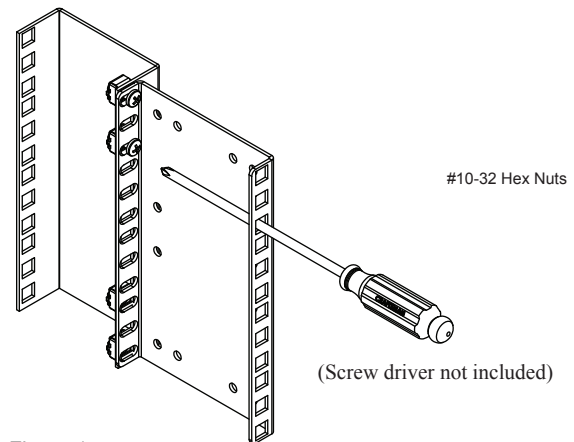


Figure 1

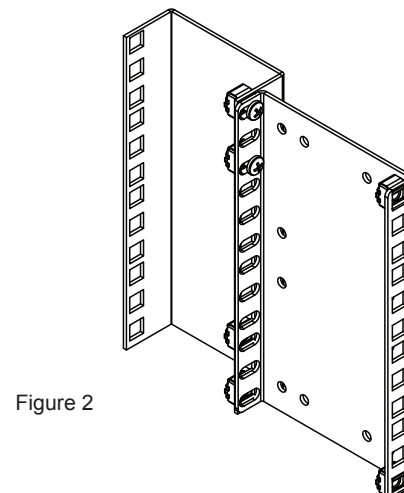


Figure 2