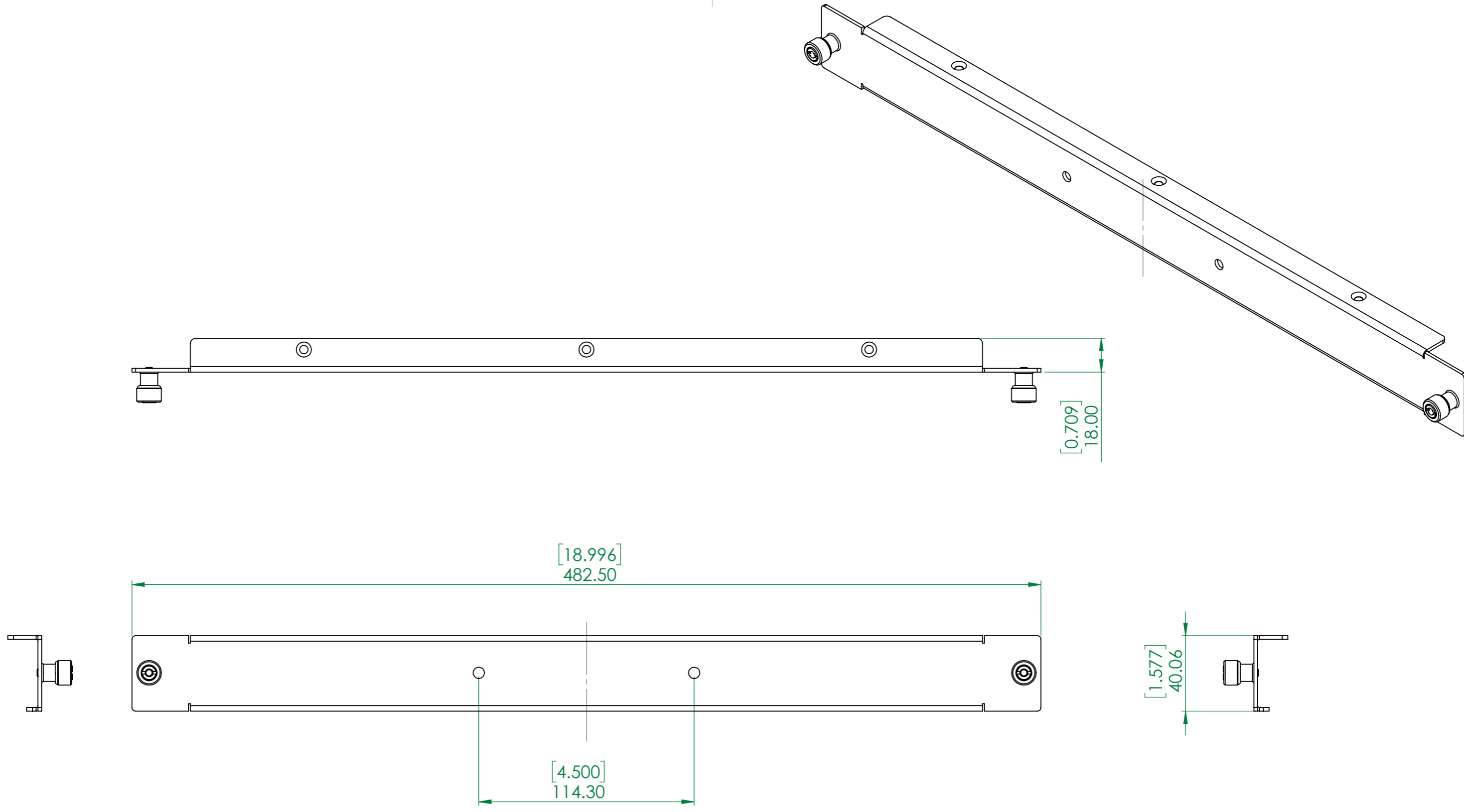


1 2 3 4 5 6 7 8

A
B
C
D
E



Note:
 1. No sharp edges.
 2. RoHS: Manufacturer must ensure that all components used must comply with RoHS Regulation.

CONFIDENTIAL DOCUMENT DO NOT COPY

Industrial Automation & Enclosures A leading developer of industrial rackmount products TEL:(516)997-5050 FAX:(516)997-5784 ©2016 IAE Inc /www.iaenclosures.com	MODEL	RSF1040BK12	APPV'D		REVISION	V 1.2	UNSPECIFIED TOLERANCES: ±
	PART NO.	68112-00-03	DATE	6/4/2019	FINISH	Black Powder Paint	SHEET 1 OF 1
	PART NAME	1U Front Cover Panel			SCALE	1:5	UNIT:mm