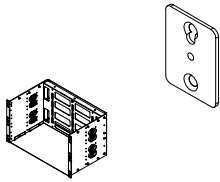


# ERP100DB Modular Installation Manual

## Required components

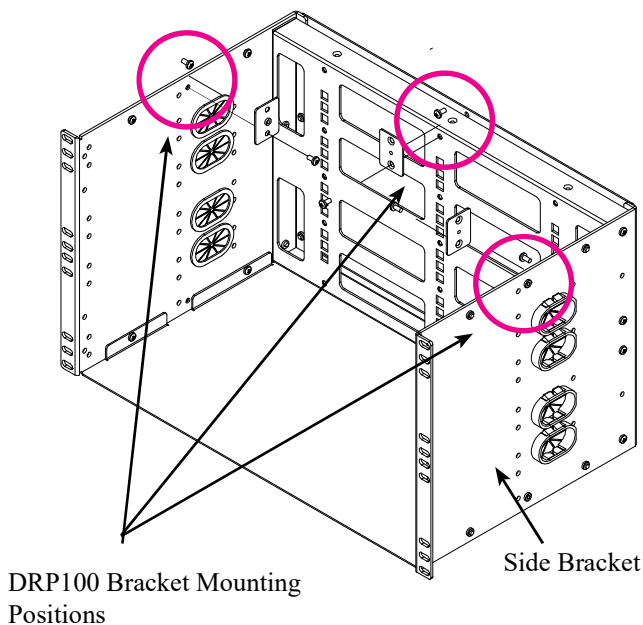
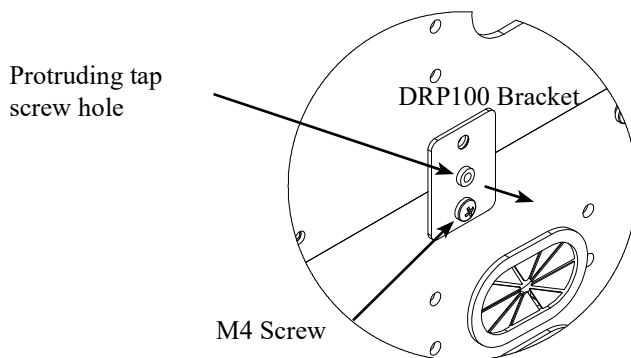


(1) DRP100 Bracket set

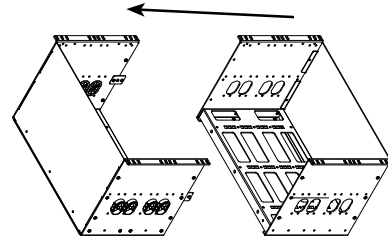
(2) ERP100DB Box with one cover removed.

## Modular installation for standard configuration

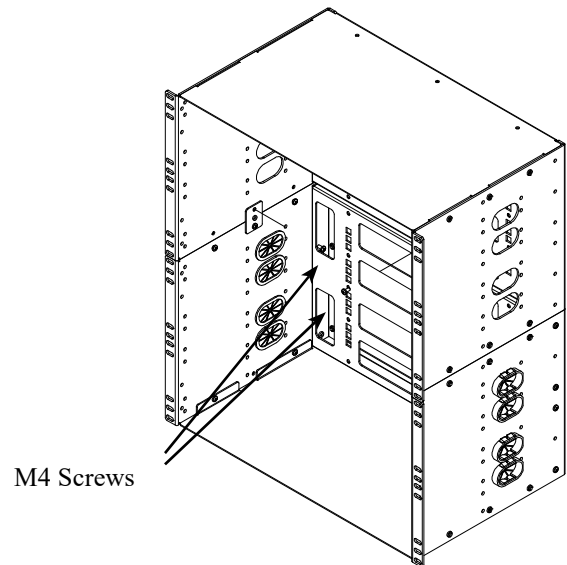
**Step 1** During this step, you will install three DRP100 mounting brackets inside the ERP100DB enclosures. The initial two DRP100 brackets should be affixed to the right and left sides of the side brackets, utilizing the top center screw hole. It is crucial to orient the protruding side of the tap screw hole on the DRP100 inward, towards the enclosure. Loosely fasten the M4 screws to secure the DRP100 in position for both side brackets. For the third DRP100, mount it on the top center section of the DIN Rail panel. Ensure that the protruding tap screw hole side **faces** the rear side of the enclosure. These three DRP100 brackets will serve as guides when attaching the second ERP100DB enclosure.



**Step 2** Place both ERP100DB enclosures on their backs on a flat surface for optimal alignment. Join the two enclosures together, ensuring that the mounting holes on the second ERP100DB align with the DRP100 brackets



**Step 3** Secure all 3 DRP100 brackets onto the enclosures using M4 screws.

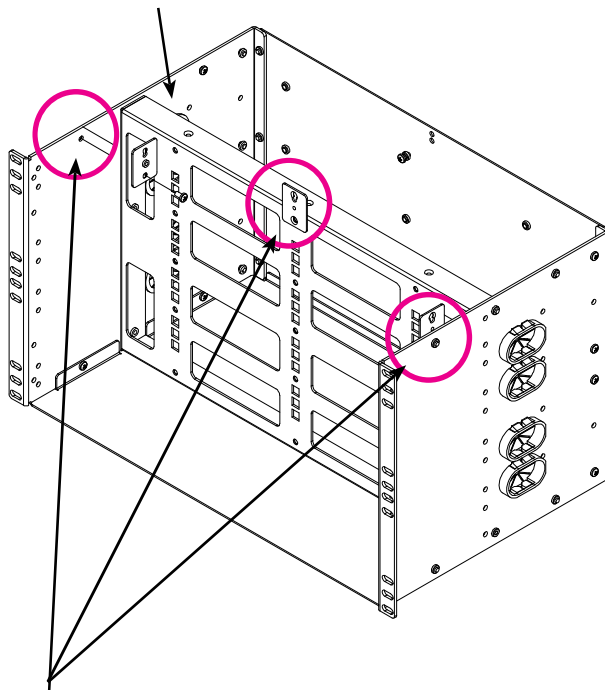
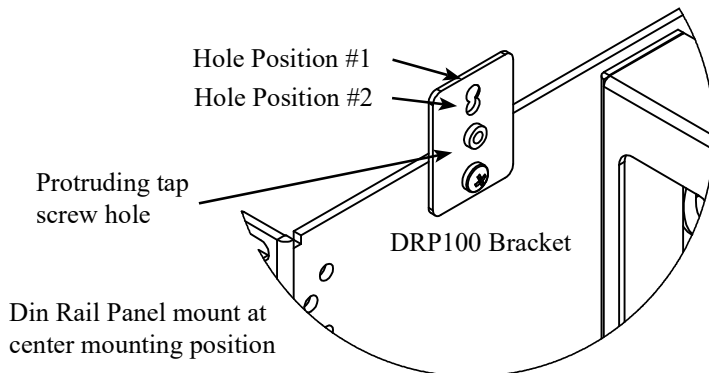


**Step 4** Please be aware that the newly joined modules are heavy. Please seek assistance when installing them into the rack cabinet.

**Note:** The ERP100DB enclosures are designed in a way that allows you to join either the same size or different size enclosures together to create a new, larger enclosure. For instance, joining two ERP100DB-4U enclosures results in an 8U joined enclosure. Similarly, combining an ERP100DB-4U with an ERP100DB-6U yields a 10U joined enclosure.

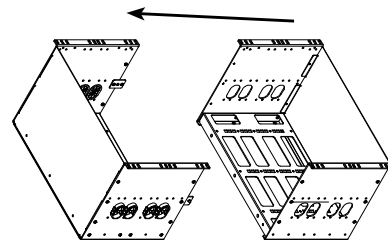
## Modular installation for center panel mounting configuration

**Step 1** During this step, you will install three DRP100 mounting brackets inside the ERP100DB enclosures. The initial two DRP100 brackets should be affixed to the right and left sides of the side brackets, utilizing the top front screw hole. It is crucial to orient the protruding side of the tap screw hole on the DRP100 inward, towards the enclosure. Loosely fasten the M4 screws to secure the DRP100 in position for both side brackets. For the third DRP100, mount it on the top center section of the DIN Rail panel. Ensure that the protruding tap screw hole side **faces** the rear side of the enclosure. These three DRP100 brackets will serve as guides when attaching the second ERP100DB enclosure.

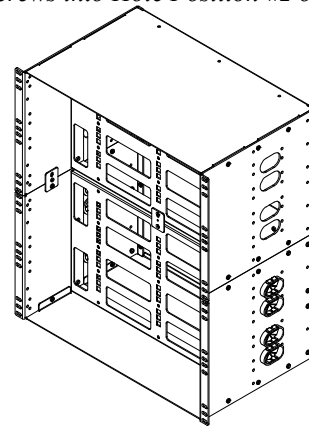


DRP100 Mounting hole position

**Step 2** Place both ERP100DB enclosures on their backs on a flat surface for optimal alignment. Join the two enclosures together, ensuring that the mounting holes on the second ERP100DB align with the DRP100 brackets



**Step 3** Secure all three DRP100 brackets onto the enclosures by fastening M4 screws into Hole Position #2 on the DRP100 brackets.



**Step 4** Please be aware that the newly joined modules are heavy. Please seek assistance when installing them into the rack cabinet.

**Optional:** If additional structural support is required for your joined ERP100DB modules, consider adding extra DRP100 brackets at the rear mounting holes on both sides of the side brackets, as illustrated in the picture below

